

Centon



Cyclone

STAND FAN

Image for illustration purposes only.

Features



5 Fan Blades



High Wind Speed



Smooth Oscillation



3-Speed Control



Heavy Base



Adjustable Height

Warranty

Register Online for **1 YEAR** Warranty

www.centon.my/warranty

Distributed by

CENTON HOME APPLIANCES SDN. BHD.

[1289180-P]

21, Jalan Seruling 58, Taman Klang Jaya,
41200 Klang, Selangor, Malaysia

www.centon.my support@centonia.my

Technical Data

Model

Cyclone

Blade Size

8 inches

Voltage

220-240V - 50/60Hz

Power

90W

Max RPM

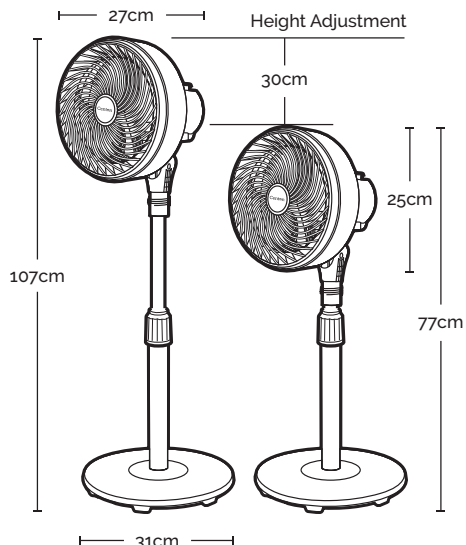
2100

Speed

Three (3) speed

Weight

3.6 kg



FIND IT
ONLINE
AT

Centon
my

[f](#) [i](#) /centonmy

